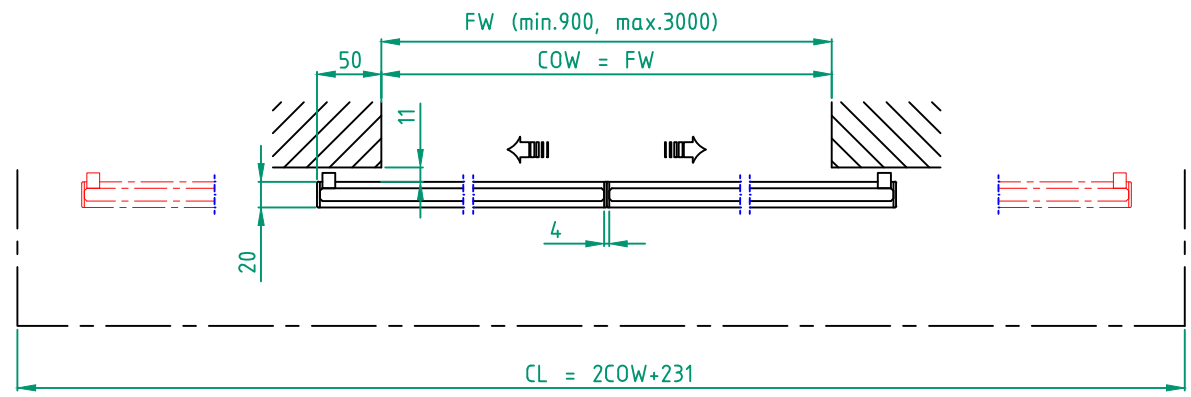
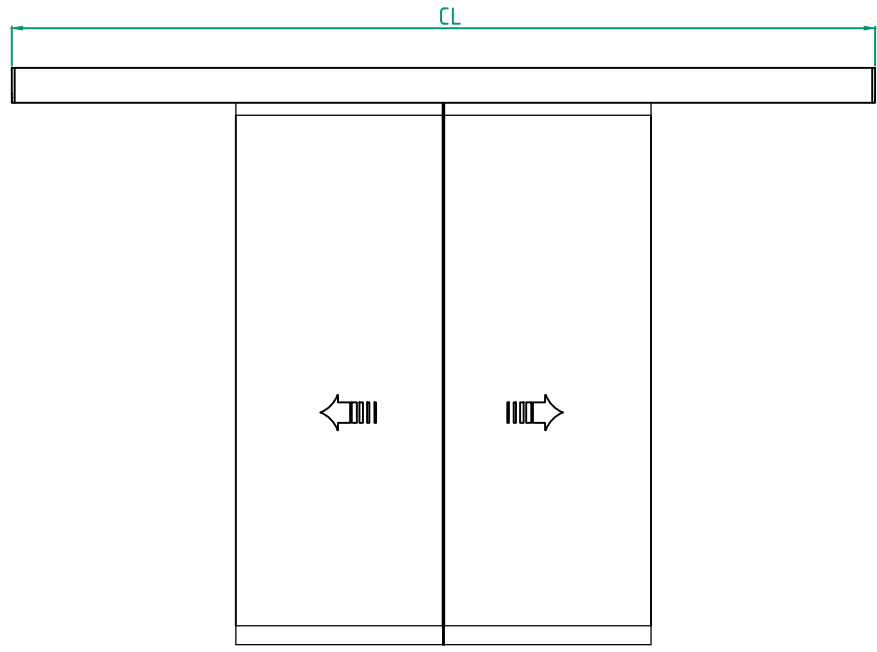
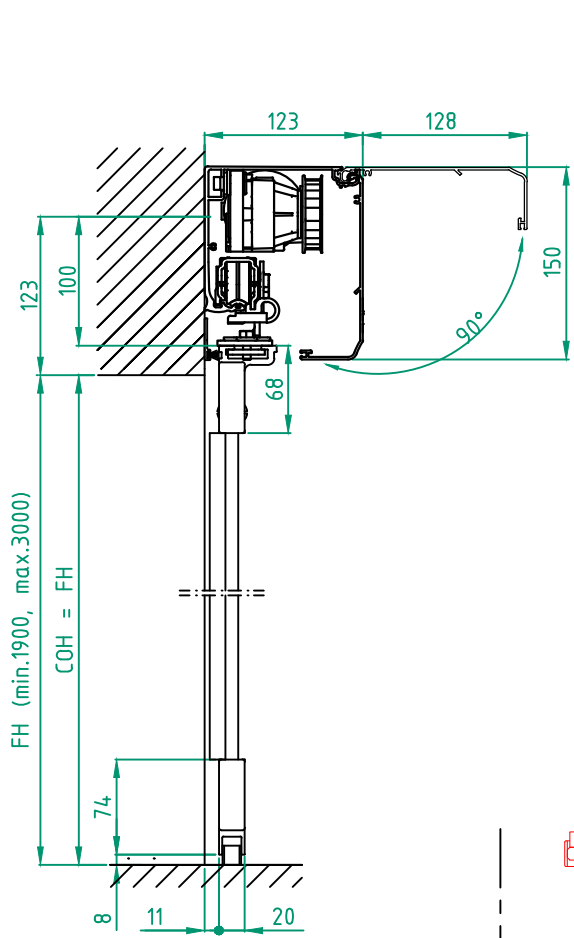


© All rights in and to this material are the sole property of ASSA ABLOY Entrance Systems AB. Copying, scanning, alterations or modifications are expressly forbidden without the prior written consent of the applicable company within ASSA ABLOY Entrance Systems AB. Rights reserved for changes without prior notice.



**STATE WHEN ORDERING**

- FW = ..... mm
- FH = ..... mm
- COW = ..... mm
- COH = ..... mm
- CL = ..... mm

Surface treatment

- Silver anodized
- Special anodized .....
- RAL .....
- Special powder coating .....
- .....

Glass options:

- 10 mm tempered glass
- 10 mm laminated glass
- No glass

Installation

- Floor heating
- Other .....

Customer: \_\_\_\_\_

Door id: \_\_\_\_\_

Project No: \_\_\_\_\_

Ref: \_\_\_\_\_

Date: \_\_\_\_\_

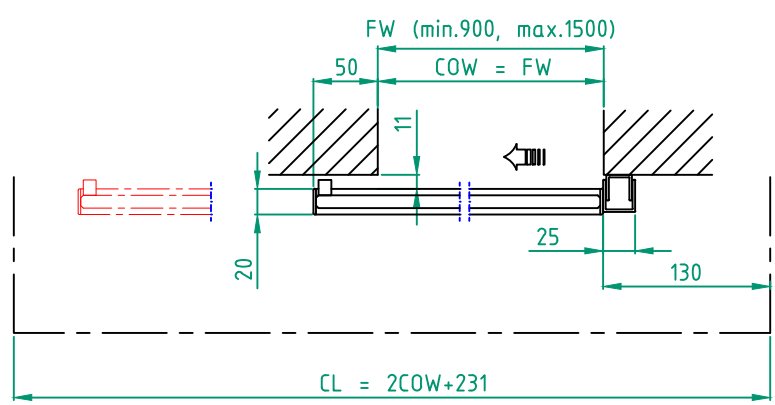
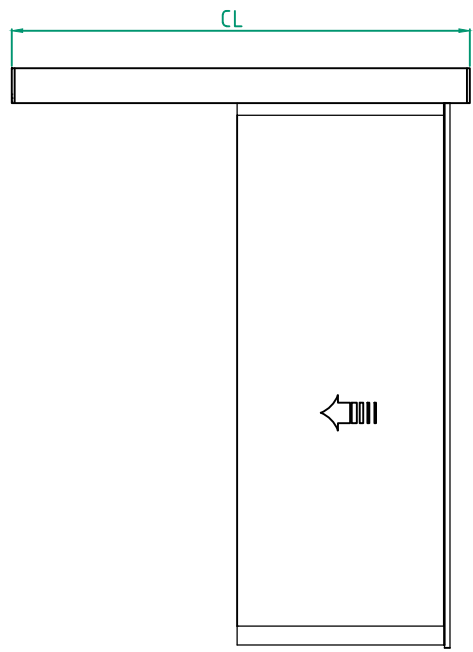
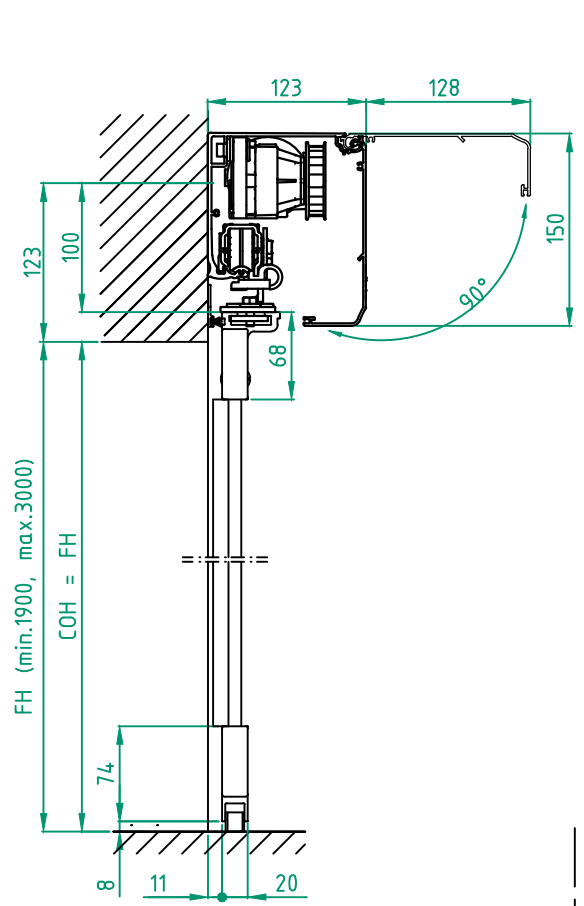
Sign: \_\_\_\_\_

Automatic door system  
 Besam ADS Semi Transparent 2 Panel wall mounted bipart  
 Art. No. 1009394-15  
 Besam SL500

**ASSA ABLOY**

4.0
1009394-EI

© All rights in and to this material are the sole property of ASSA ABLOY Entrance Systems AB. Copying, scanning, alterations or modifications are expressly forbidden without the prior written consent of the applicable company within ASSA ABLOY Entrance Systems AB. Rights reserved for changes without prior notice.



**STATE WHEN ORDERING**

- FW = ..... mm
- FH = ..... mm
- COW = ..... mm
- COH = ..... mm
- CL = ..... mm

**Surface treatment**

- Silver anodized
- Special anodized .....
- RAL .....
- Special powder coating .....
- .....

**Glass options:**

- 10 mm tempered glass
- 10 mm laminated glass
- No glass

**Installation**

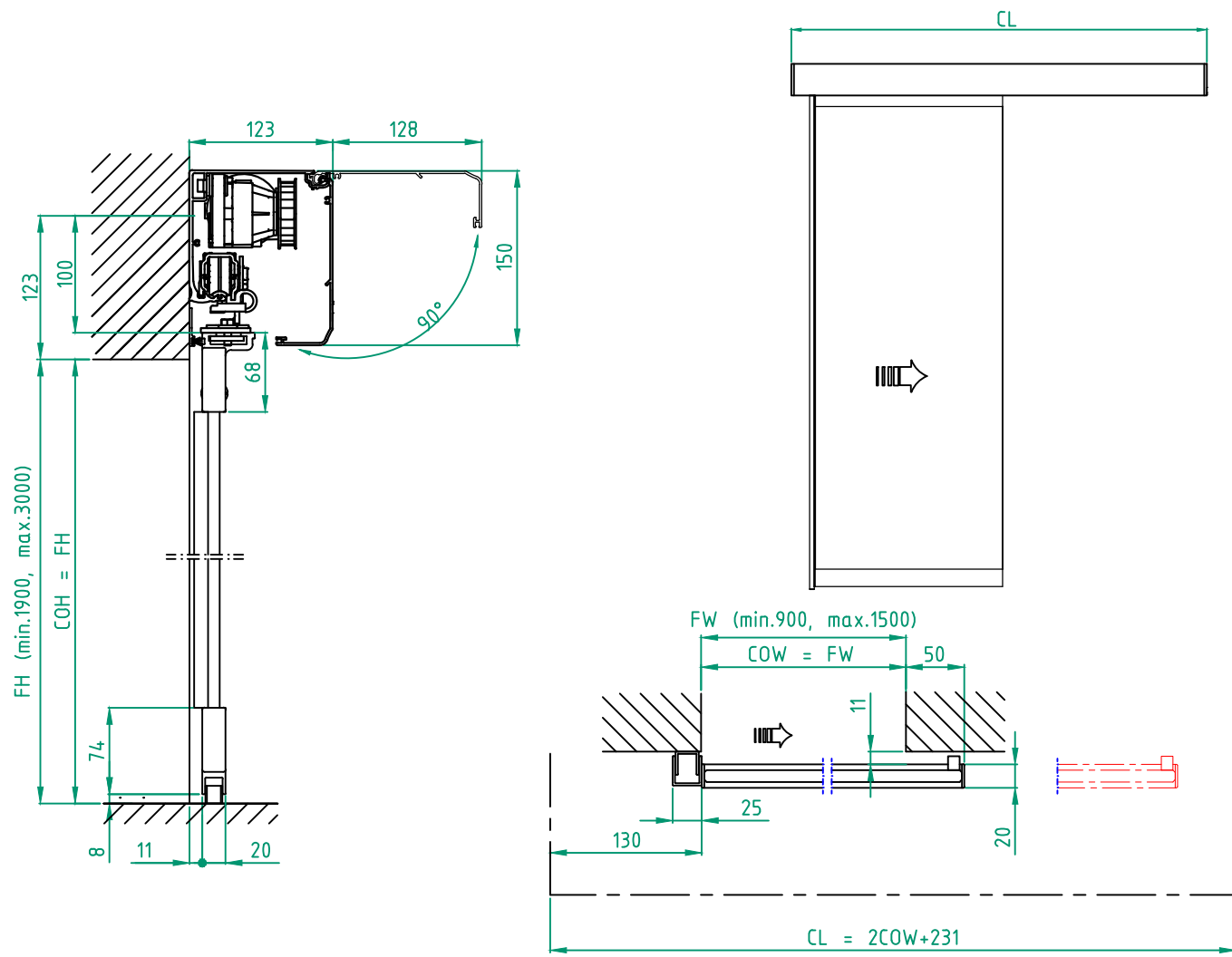
- Floor heating
- Other .....

|             |       |
|-------------|-------|
| Customer:   | Ref:  |
| Door id:    | Date: |
| Project No: | Sign: |

**Automatic door system**  
 Besam ADS Semi Transparent 1 Panel wall mounted opening left  
 Art. No. 1009394-15  
 Besam SL500

**ASSA ABLOY**  
 4.0 1009394-EI

© All rights in and to this material are the sole property of ASSA ABLOY Entrance Systems AB. Copying, scanning, alterations or modifications are expressly forbidden without the prior written consent of the applicable company within ASSA ABLOY Entrance Systems AB. Rights reserved for changes without prior notice.



**STATE WHEN ORDERING**

- FW = ..... mm
- FH = ..... mm
- COW = ..... mm
- COH = ..... mm
- CL = ..... mm

Surface treatment

- Silver anodized
- Special anodized .....
- RAL .....
- Special powder coating .....
- .....

Glass options:

- 10 mm tempered glass
- 10 mm laminated glass
- No glass

Installation

- Floor heating
- Other .....

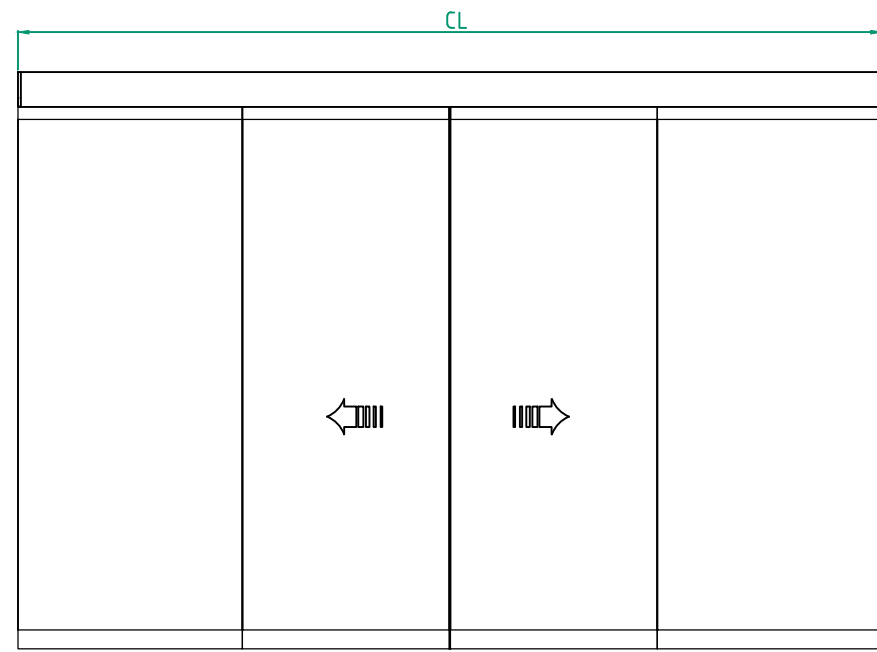
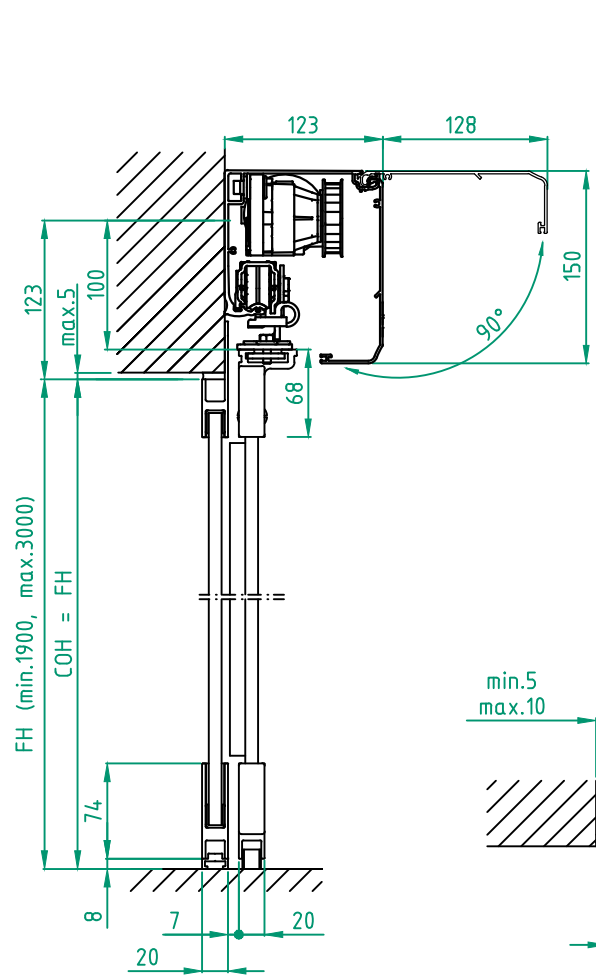
|             |       |
|-------------|-------|
| Customer:   | Ref:  |
| Door id:    | Date: |
| Project No: | Sign: |

**Automatic door system**  
 Besam ADS Semi Transparent 1 Panel wall mounted opening right  
 Art. No. 1009394-15  
 Besam SL500

ASSA ABLOY

4.0
1009394-EI

© All rights in and to this material are the sole property of ASSA ABLOY Entrance Systems AB. Copying, scanning, alterations or modifications are expressly forbidden without the prior written consent of the applicable company within ASSA ABLOY Entrance Systems AB. Rights reserved for changes without prior notice.



**STATE WHEN ORDERING**

- FW = ..... mm
- FH = ..... mm
- X = ..... mm
- COW = ..... mm
- COH = ..... mm
- CL = ..... mm

Surface treatment

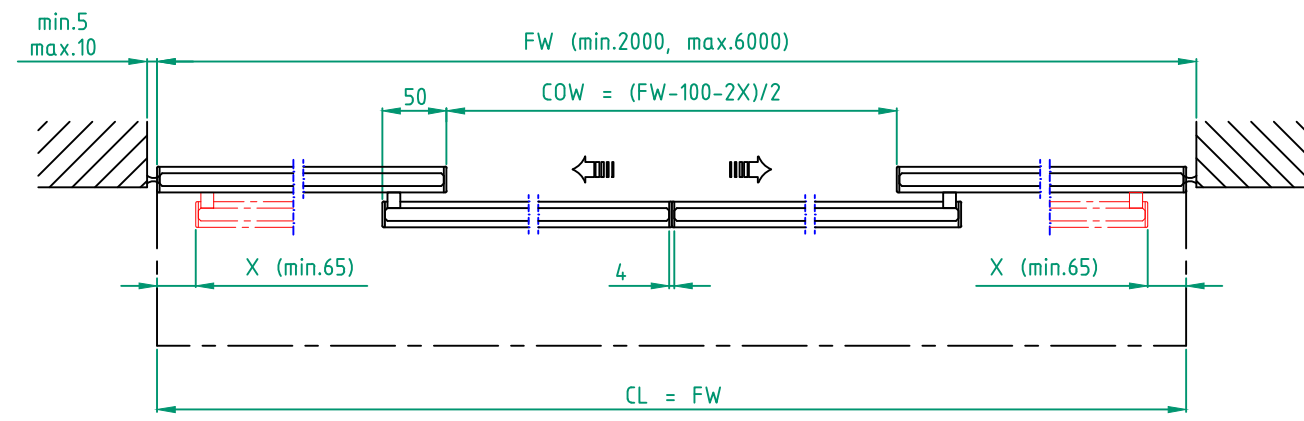
- Silver anodized
- Special anodized .....
- RAL .....
- Special powder coating .....
- .....

Glass options:

- 10 mm tempered glass
- 10 mm laminated glass
- No glass

Installation

- Floor heating
- Other .....



Customer: \_\_\_\_\_

Door id: \_\_\_\_\_

Project No: \_\_\_\_\_

Ref: \_\_\_\_\_

Date: \_\_\_\_\_

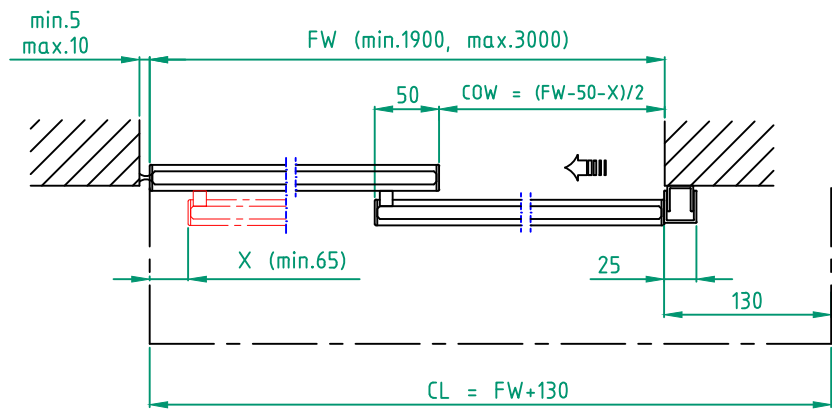
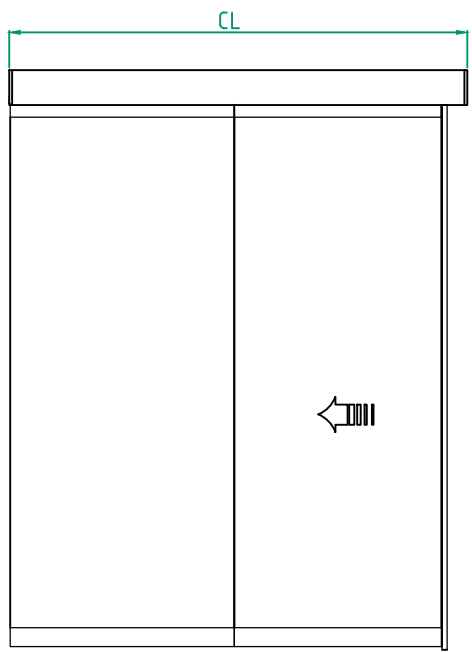
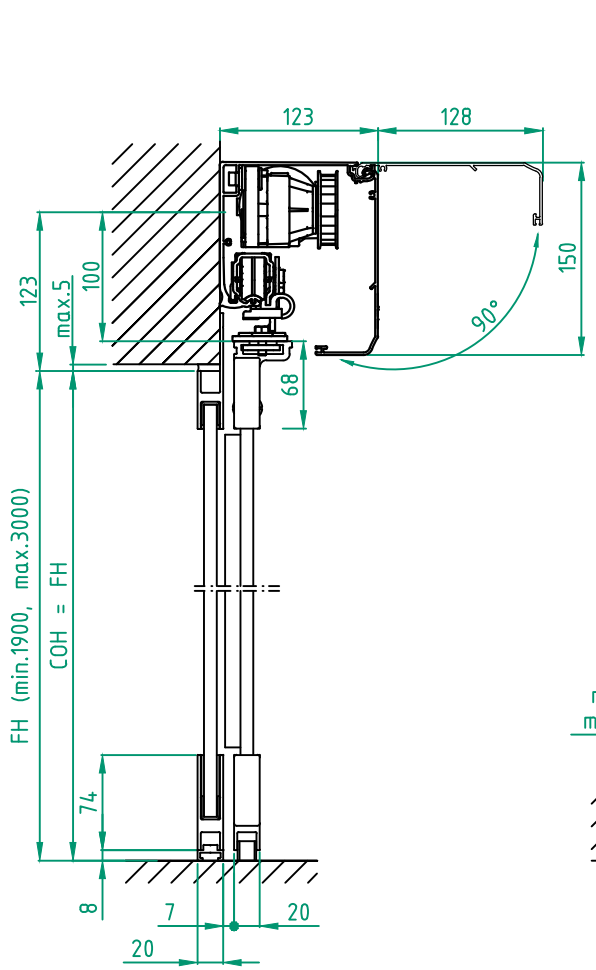
Sign: \_\_\_\_\_

Automatic door system  
 Besam ADS Semi Transparent 4 Panel wall mounted  
 Art. No. 1009394-15  
 Besam SL500

ASSA ABLOY

4.0
1009394-EI

© All rights in and to this material are the sole property of ASSA ABLOY Entrance Systems AB. Copying, scanning, alterations or modifications are expressly forbidden without the prior written consent of the applicable company within ASSA ABLOY Entrance Systems AB. Rights reserved for changes without prior notice.



STATE WHEN ORDERING

- FW = ..... mm
- FH = ..... mm
- X = ..... mm
- COW = ..... mm
- COH = ..... mm
- CL = ..... mm

Surface treatment

- Silver anodized
- Special anodized .....
- RAL .....
- Special powder coating .....
- .....

Glass options:

- 10 mm tempered glass
- 10 mm laminated glass
- No glass

Installation

- Floor heating
- Other .....

Customer: \_\_\_\_\_

Door id: \_\_\_\_\_

Project No: \_\_\_\_\_

Ref: \_\_\_\_\_

Date: \_\_\_\_\_

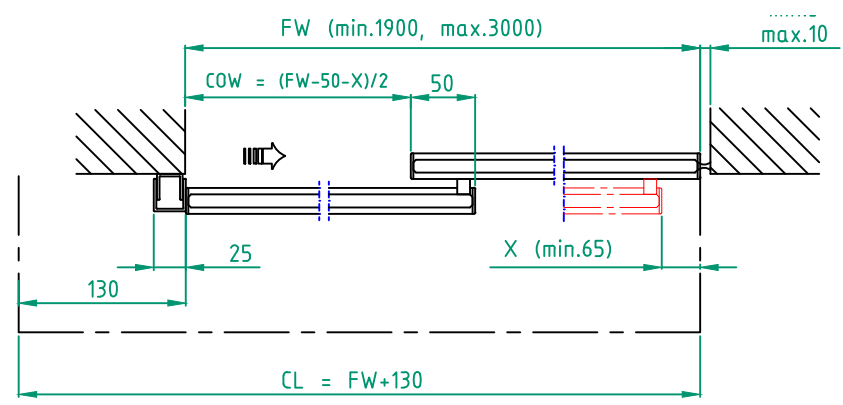
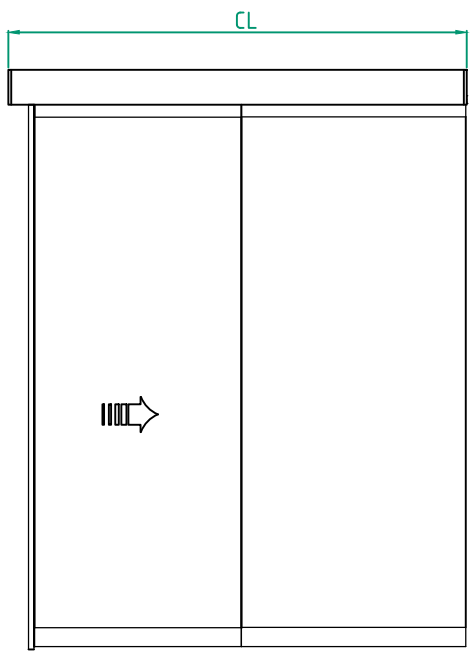
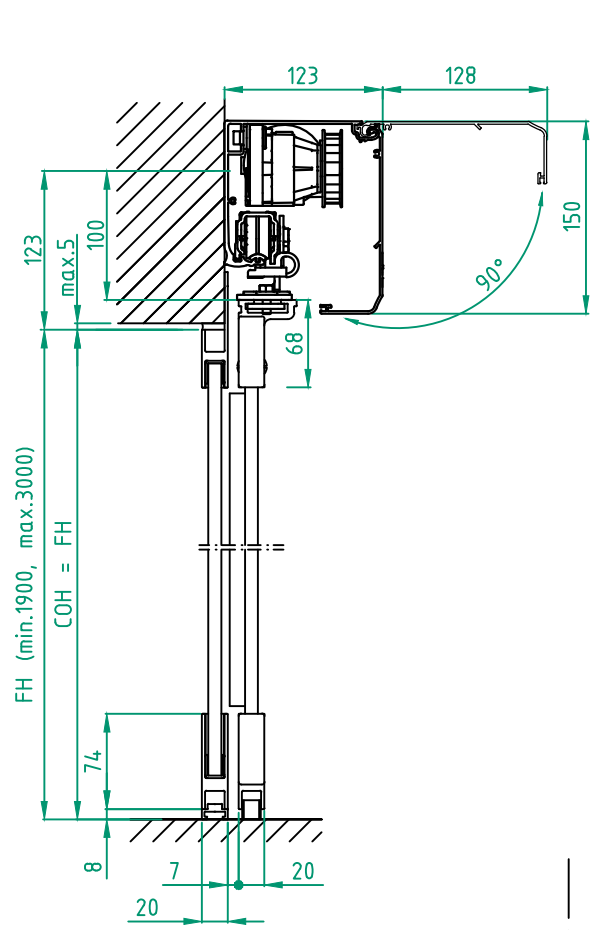
Sign: \_\_\_\_\_

Automatic door system  
 Besam ADS Semi Transparent 2 Panel wall mounted opening left  
 Art. No. 1009394-15  
 Besam SL500

**ASSA ABLOY**

4.0 1009394-EI

© All rights in and to this material are the sole property of ASSA ABLOY Entrance Systems AB. Copying, scanning, alterations or modifications are expressly forbidden without the prior written consent of the applicable company within ASSA ABLOY Entrance Systems AB. Rights reserved for changes without prior notice.



**STATE WHEN ORDERING**

- FW = ..... mm
- FH = ..... mm
- X = ..... mm
- COW = ..... mm
- COH = ..... mm
- CL = ..... mm

Surface treatment

- Silver anodized
- Special anodized .....
- RAL .....
- Special powder coating .....
- .....

Glass options:

- 10 mm tempered glass
- 10 mm laminated glass
- No glass

Installation

- Floor heating
- Other .....

Customer: \_\_\_\_\_

Door id: \_\_\_\_\_

Project No: \_\_\_\_\_

Ref: \_\_\_\_\_

Date: \_\_\_\_\_

Sign: \_\_\_\_\_

**Automatic door system**  
 Besam ADS Semi Transparent 2 Panel wall mounted opening right  
 Art. No. 1009394-15  
 Besam SL500

ASSA ABLOY

4.0
1009394-EI