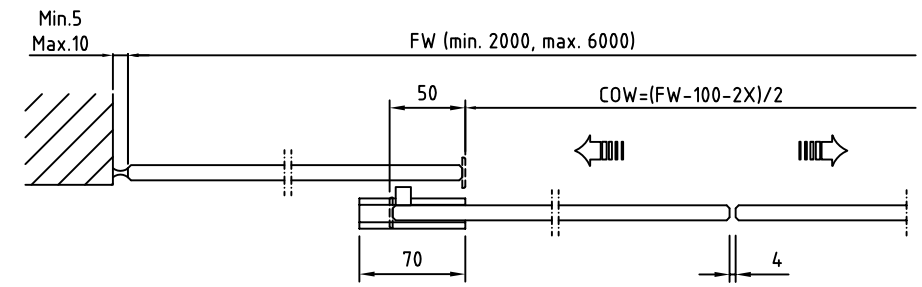
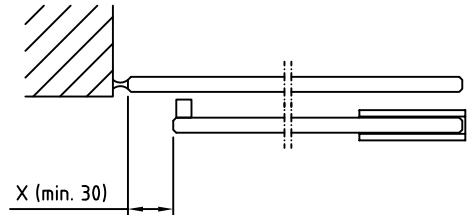
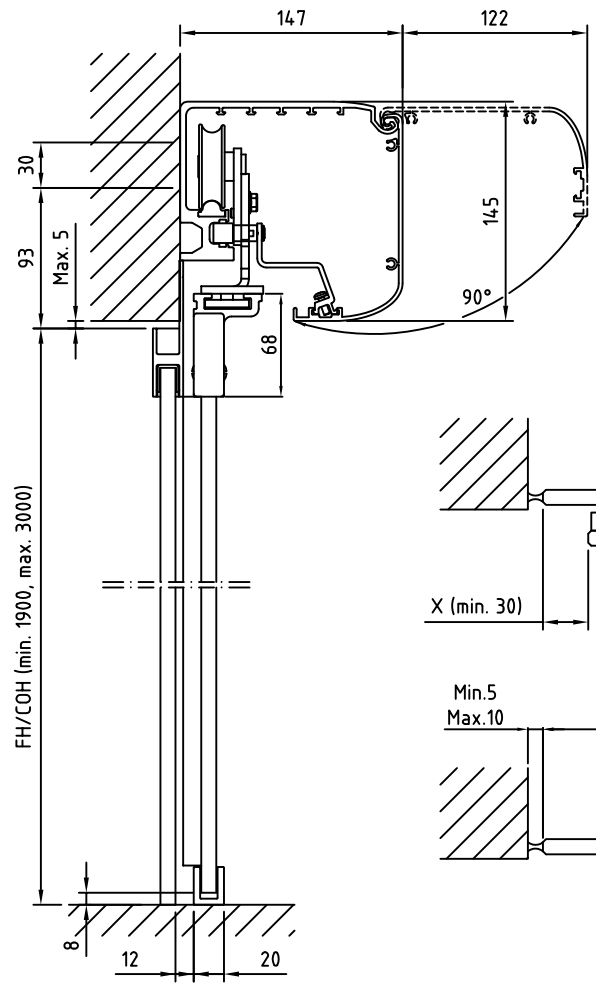


© All rights in and to this material are the sole property of ASSA ABLOY Entrance Systems AB. Copying, scanning, alterations or modifications are expressly forbidden without the prior written consent of the applicable company within ASSA ABLOY Entrance Systems AB. Rights reserved for changes without prior notice.



State when ordering

- FW=.....mm
- FH=.....mm
- X .....mm
- COW=.....mm
- COH=.....mm
- Cover
- CL=.....mm

Surface treatment

- Silver anodized
- Special anodized.....
- RAL.....
- Special powder coating.....
- .....

Glass

- 10 mm tempered glass  
(FW=max. 5220 when FH=max)
- 10 mm laminated glass  
(FW=max. 5220 when FH=max)
- No glass

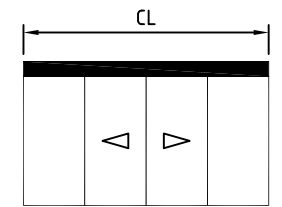
Lock

- Floor lock Euro 1-way
- Floor lock Euro 2-way



Installation

- Floor heating
- Other.....



Scale 1:5

**Customer:** \_\_\_\_\_

**Door id:** \_\_\_\_\_

**Project No:** \_\_\_\_\_

**Besam ref:** \_\_\_\_\_

**Date:** \_\_\_\_\_

**Sign:** \_\_\_\_\_

**ADS Automatic door system**  
**Transparent UniSlide**  
**4 Panel wall mounted**  
**Article No. 800330**

**besam**   
**ASSA ABLOY**

4      1000036