

High speed door

Albany HS9030G

ASSA ABLOY

ASSA ABLOY Entrance Systems

The global leader in
door opening solutions



Most space-efficient high speed door for inside applications

The Albany HS9030G high speed door is designed for interior applications where sealing, aesthetics and space-limitations are important. The main features of the Albany HS9030G are:

- Medium-sized, max. 3500 x 3500 mm
- Space saving design
- Inside usage
- Galvanised steel construction
- Gravity drive system
- Opening speed up to 2,7 m/s

With its modern design and integrated motor, the Albany HS9030G is the most space-efficient model in the market. Reduced footprint on both sides give you ± 30 cm more selling-space compared to other doors.

The door offers very good sealing thanks to a unique design. The operating speed combined with its sealing properties improves your traffic flow, provides employee comfort and saves energy.

The robust steel, IP54 classified, control box is easy to operate and to program. The mechanical main switch and emergency stop make it foolproof. The clear display gives a wide range of information like an easy to read cycle counter.

Break-away - and Automatic Repair system

Albany high speed doors are equipped with a break-away - and automatic repair system. The curtain reintroduces itself after a crash to reduce downtime and maintenance.

Completely safe

Features that make our doors completely safe.

- The soft bottom edge has no rigid parts, it moulds around any obstruction to prevent injury or damage.
- When an object hits the door, the fabric curtain absorbs the impact and releases itself from its side guides without causing damage or being damaged itself.

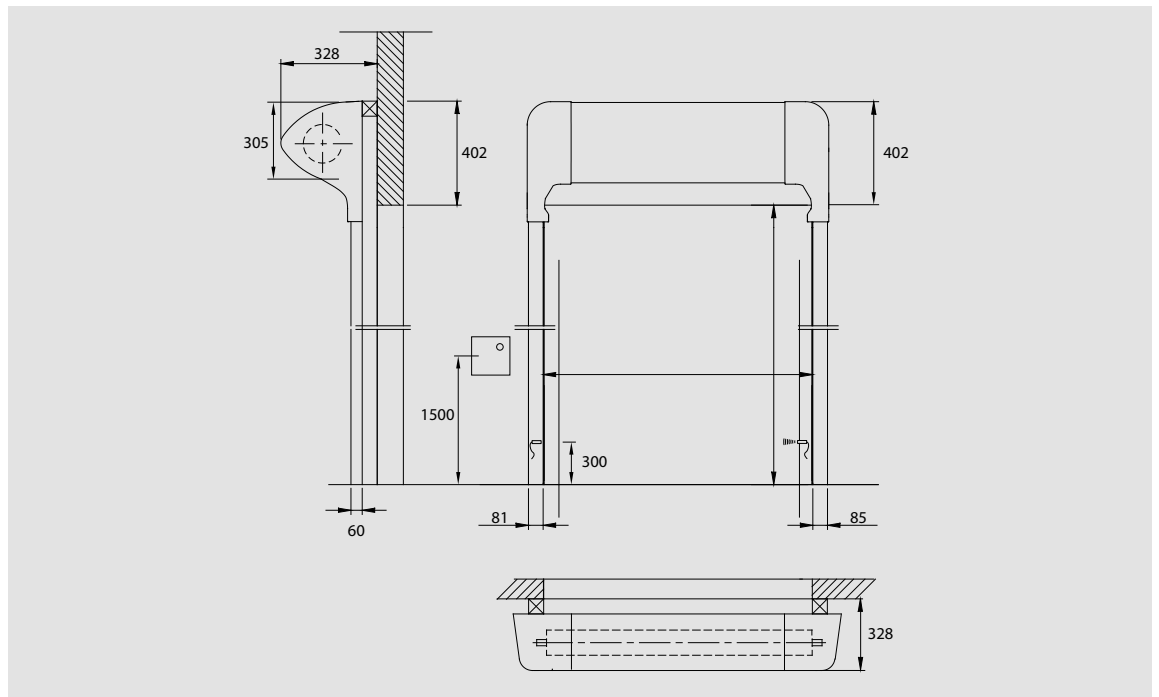
Windows and vision panels

To increase the admission of daylight and visibility, the door curtain can be equipped with windows or vision panels. Windows have fixed sizes and are located on a pre-defined grid. A vision panel is always located on the full width of the door curtain.

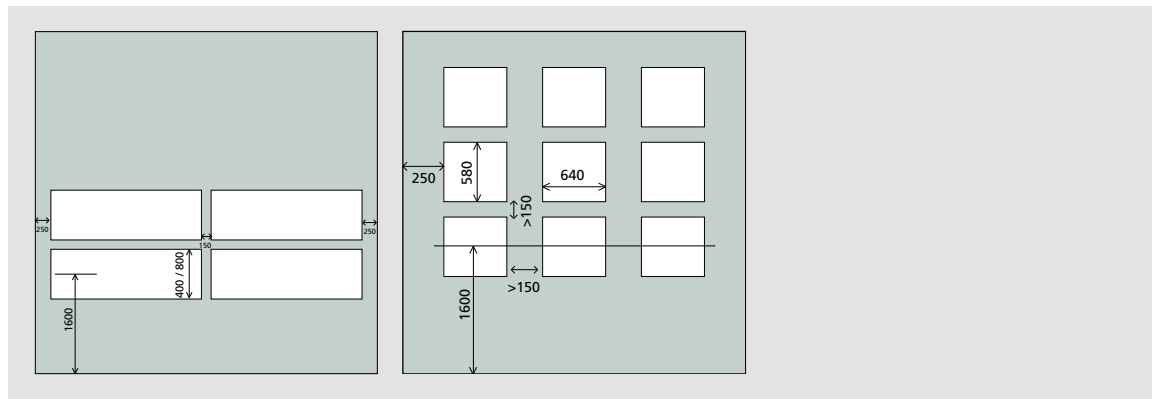
Technical Data

Min size (W x H)	1000 x 2000 mm
Max size (W x H) ¹⁾	3500 x 3500 mm
Operating speed	opening: up to 2,7 m/s closing: 0,5 m/s
Wind load resistance, EN 12424	class 1 (300 N/m ²) maximum wind load while closing 50 N/m ²
Water penetration, EN 12425	class 3 (>50 N/m ²)
Air permeability, EN 12426	class 2 (12 m ³ /m ² /h at 50 Pa)
Thermal transmittance	6,02 W/ (m ² K)
Lifetime expectations	1.000.000 cycles
1) Other sizes available on request	

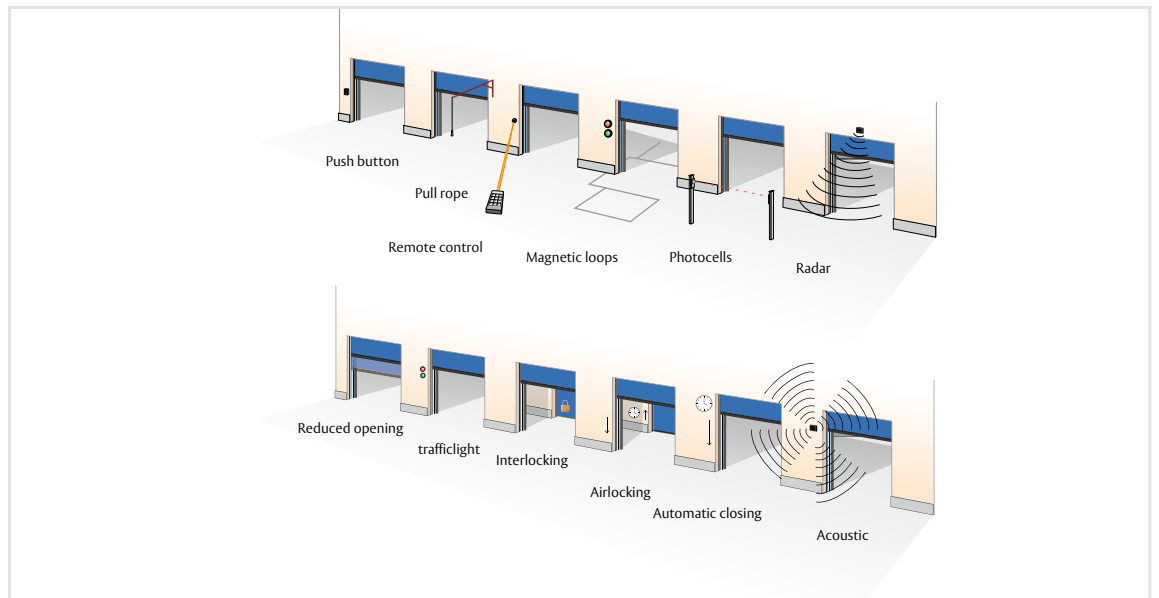
Dimensional specifications



Windows and Vision panels



Options access and automation



Standard available colours

